

NOTES

ROOF SNOW LOAD (p_f): MAX. 126 PSF USING MAX $P_g=100$ psf, ASCE 7-05 SNOWLOADING & ADDITIONAL FOS: 1=1.5

ALL DIMENSIONS ARE TO BE VERIFIED BY THE CONTRACTOR PRIOR TO FABRICATION/CONSTRUCTION.

FRAMING LUMBER TO BE DOUGLAS FIR #2 OR BETTER.

PLYWOOD SHALL BE PER AMERICAN PLYWOOD ASSOCIATION SPECS.

ALL FRAMING DEVICES ARE SIMPSON "STRONG-TIE" CONNECTIONS. INSTALL DEVICES AND FILL ALL NAIL HOLES PER MANUFACTURER'S LITERATURE.

ALL NAILS SHALL BE COMMON. FOR NAILING NOT NOTED REFER TO IBC TABLE 2304.9.1. ALL NAILS INTO PRESSURE TREATED WOOD TO BE HOT DIPPED GALVANIZED.

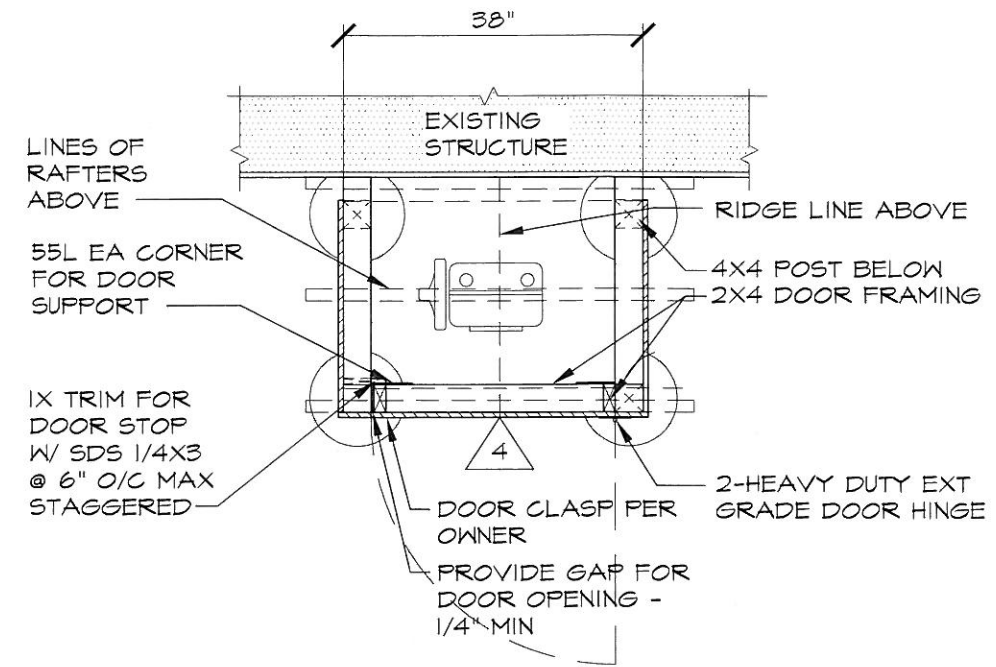
FOR FRAMING DETAILS NOT SHOWN REFER TO IBC "CONVENTIONAL FRAMING" PROVISIONS.

MEMBERS IN CONTACT WITH CONCRETE OR MASONRY SHALL BE PRESSURE TREATED OR FOUNDATION GRADE REDWOOD. DO NOT PLACE ANY WOOD MEMBERS IN CONTACT WITH THE EARTH.

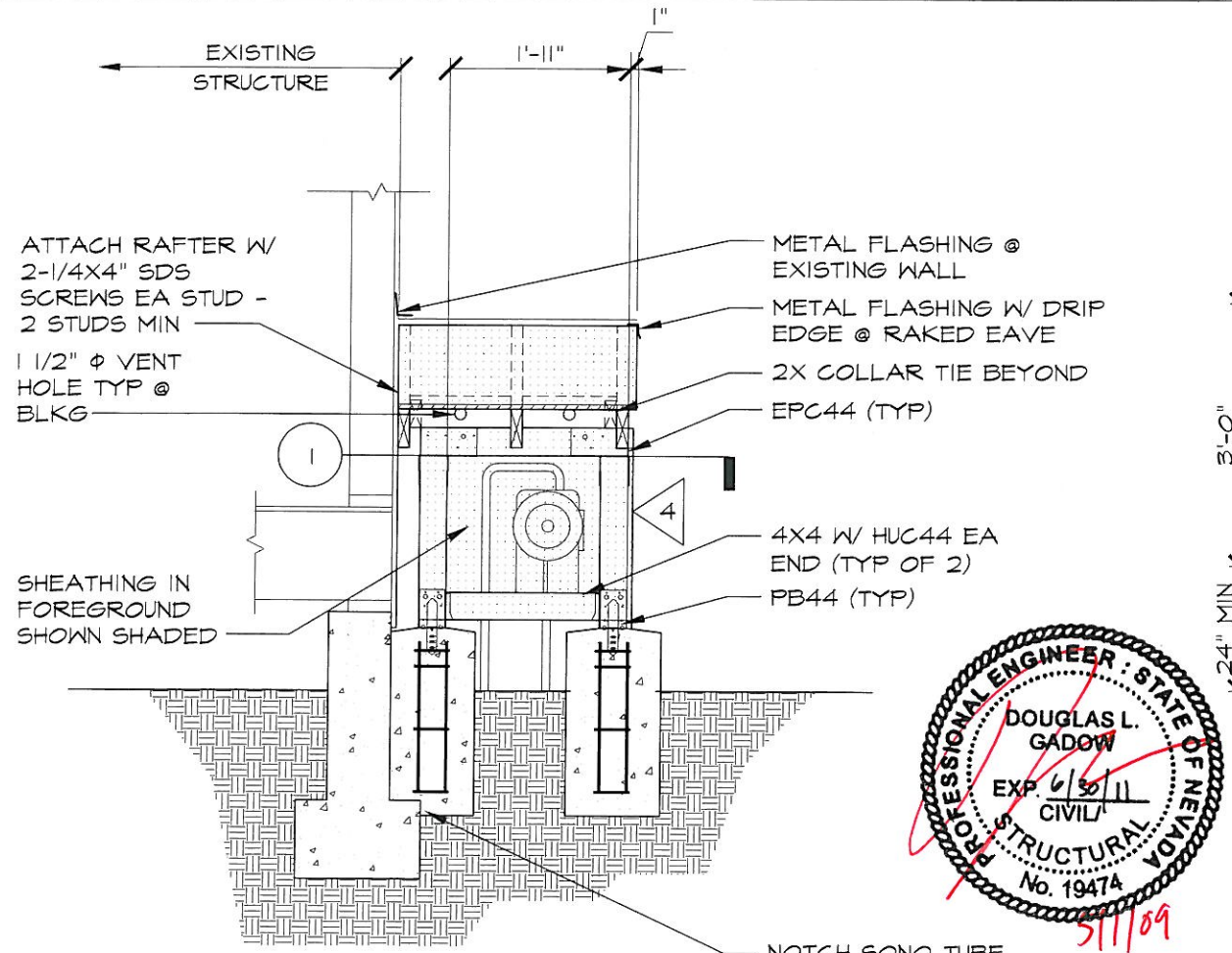
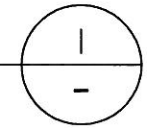
PLYWOOD SHEAR WALL PANEL VENEERS SHALL NOT BE BROKEN OR CRUSHED UPON THE INSTALLATION OF SHEAR WALL NAILING.

EXTERIOR FINISH OR SIDING OVER PANELS TO BE DETERMINED BY OWNER.

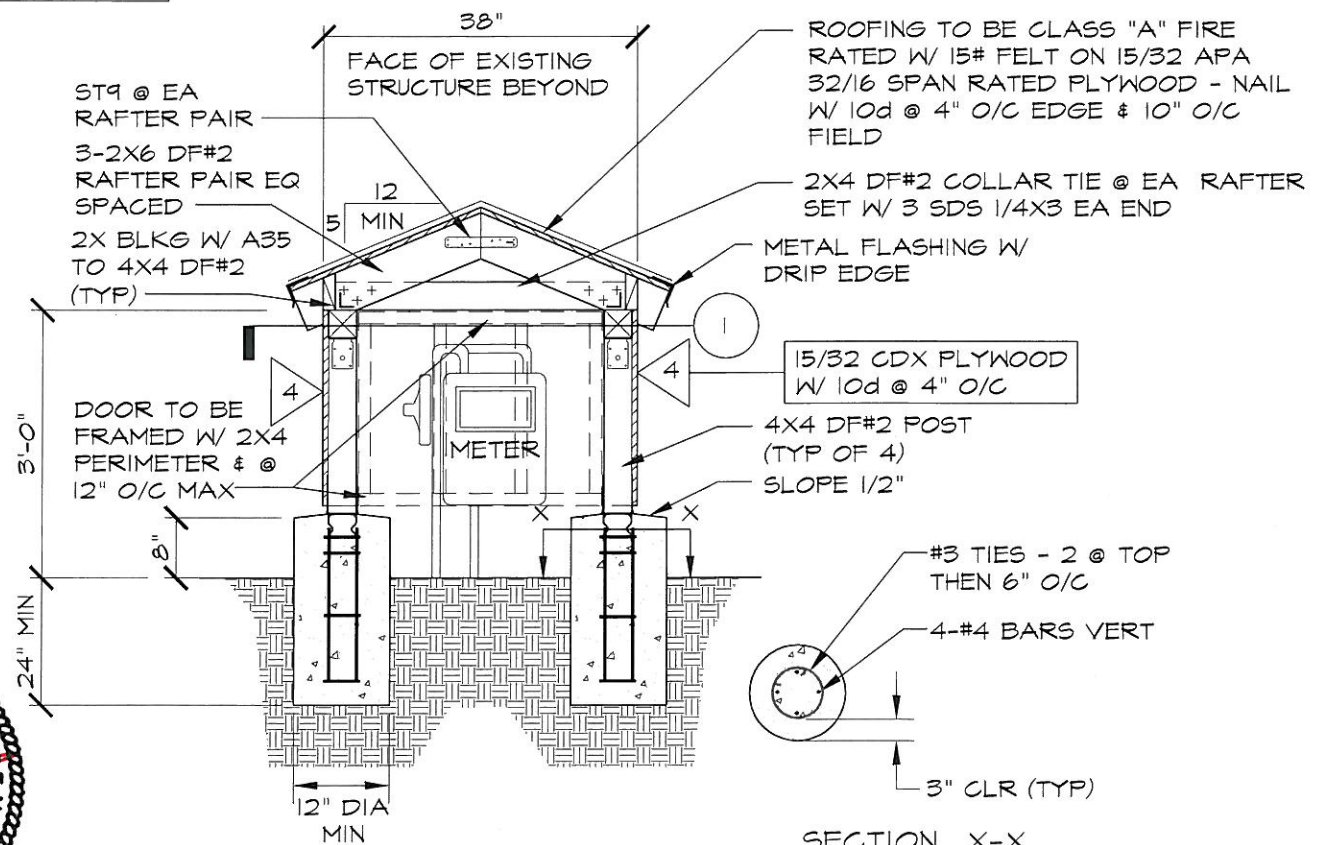
A SNOW SHED WILL HELP PREVENT SNOW AND ICE ACCUMULATION, BUT IS NOT A SUBSTITUTE FOR THE UPKEEP AND MAINTENANCE OF THE ADJOINING RESIDENCE OR STRUCTURE. IT IS IMPORTANT TO KEEP GUTTERS FREE OF LEAVES AND DEBRIS, INCLUDING THOSE ABOVE OR NEAR THE NATURAL GAS METER. ALSO, NO SHED WILL PROTECT AGAINST FALLING ICE SHEETS, SO CARE MUST BE TAKEN TO PREVENT THE ACCUMULATION OF ICE THAT COULD RESULT IN AN ICE FALL.



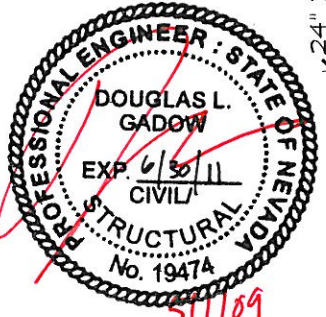
FRAMING PLAN



SIDE ELEVATION



FRONT ELEVATION



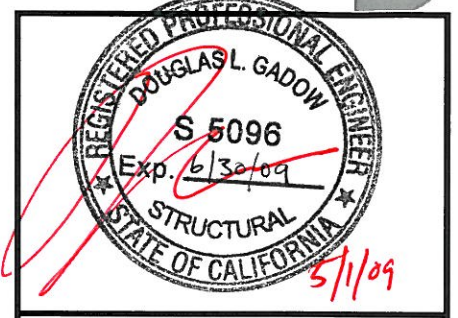
SOUTHWEST GAS METER SHED
Pg = 100 psf

SOUTHWEST GAS CORP.
APN: VARIES

GARY DAVIS GROUP
DESIGN AND ENGINEERING

post office box 7409 tahoe city, ca 96145
tel 530.583.9222 fax 530.583.9294

garydavisgroup.com



ISSUES & REVISIONS			
No.	Date	Issue & Revision	By

Designed By: MJA
Drafted By: GS
Checked By: MJA

Client Information: SOUTHWEST GAS CORP., GLEN SMITH

Project Number: 643.10

All drawings and written material appearing herein constitute original and unpublished work of the engineer and may not be duplicated, used or disclosed without written consent of the engineer. © GDG2009

Description: **GAS METER SHED GABLE ROOF**

Scale: 1/2" = 1'-0" U.N.O.
File: 643.10 Meter Shed.dwg
Plot Date: MAY 1, 2009

\$1.0

1 OF 1 SHEETS